

aiwa

**COMPACT DISC STEREO SYSTEM
SISTEMA ESTEREO CON REPRODUCTOR DE DISCOS COMPACTOS
CHAINE STEREO AVEC LECTEUR DE DISQUES COMPACTS**

LCX-155

**OPERATING INSTRUCTIONS
MANUAL DE INSTRUCCIONES
MODE D'EMPLOI**

En (English)

E (Español)

F (Français)

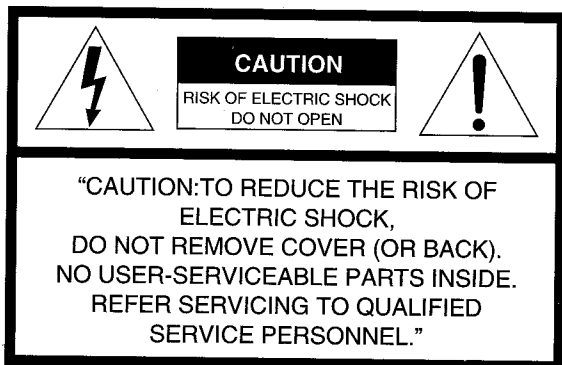
For assistance and information,
call toll free 1-800-BUY-AIWA.
(United States and Puerto Rico)

U

**COMPACT
disc
DIGITAL AUDIO**

WARNING

TO REDUCE THE RISK OF FIRE OR ELECTRIC SHOCK, DO NOT EXPOSE THIS APPLIANCE TO RAIN OR MOISTURE.



Explanation of Graphical Symbols:



The lightning flash with arrowhead symbol, within an equilateral triangle, is intended to alert the user to the presence of uninsulated "dangerous voltage" within the product's enclosure that may be of sufficient magnitude to constitute a risk of electric shock to persons.



The exclamation point within an equilateral triangle is intended to alert the user to the presence of important operating and maintenance (servicing) instructions in the literature accompanying the appliance.

PRECAUTIONS

Read the Operating Instructions carefully and completely before operating the unit. Be sure to keep the Operating Instructions for future reference. All warnings and cautions in the Operating Instructions and on the unit should be strictly followed, as well as the safety suggestions below.

Installation

- 1 **Water and moisture** — Do not use this unit near water, such as near a bathtub, washbowl, swimming pool, or the like.
- 2 **Heat** — Do not use this unit near sources of heat, including heating vents, stoves, or other appliances that generate heat. It also should not be placed in temperatures less than 5°C (41°F) or greater than 35°C (95°F).
- 3 **Mounting surface** — Place the unit on a flat, even surface.
- 4 **Ventilation** — The unit should be situated with adequate space around it so that proper heat ventilation is assured. Allow 10 cm (4 in.) clearance from the rear and the top of the unit, and 5 cm (2 in.) from the each side.
 - Do not place the unit on a bed, rug, or similar surface that may block the ventilation openings.
 - Do not install the unit in a bookcase, cabinet, or airtight rack where ventilation may be impeded.
- 5 **Objects and liquid entry** — Take care that objects or liquids do not get inside the unit through the ventilation openings.
- 6 **Carts and stands** — When placed or mounted on a stand or cart, the unit should be moved with care. Quick stops, excessive force, and uneven surfaces may cause the unit or cart to overturn or fall.



- 7 **Condensation** — Moisture may form on the CD pickup lens when:
 - The unit is moved from a cold spot to a warm spot
 - The heating system has just been turned on
 - The unit is used in a very humid room
 - The unit is cooled by an air conditioner
 When this unit has condensation inside, it may not function normally. Should this occur, leave the unit for a few hours, then try to operate again.
- 8 **Wall or ceiling mounting** — The unit should not be mounted on a wall or ceiling, unless specified in the Operating Instructions.

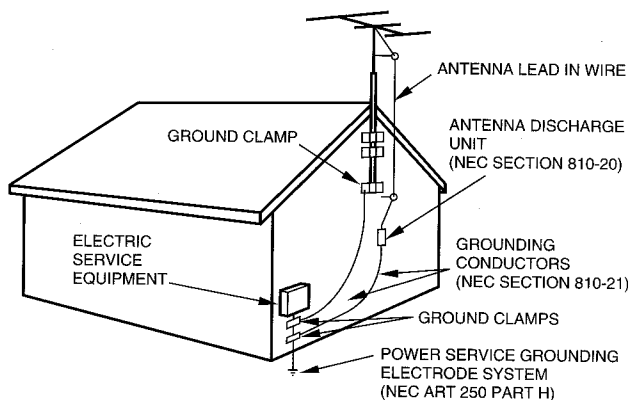
Electric Power

- 1 **Power sources** — Connect this unit only to power sources specified in the Operating Instructions, and as marked on the unit.
- 2 **Polarization** — As a safety feature, some units are equipped with polarized AC power plugs which can only be inserted one way into a power outlet. If it is difficult or impossible to insert the AC power plug into an outlet, turn the plug over and try again. If it still does not easily insert into the outlet, please call a qualified service technician to service or replace the outlet. To avoid defeating the safety feature of the polarized plug, do not force it into a power outlet.
- 3 **AC power cord**
 - When disconnecting the AC power cord, pull it out by the AC power plug. Do not pull the cord itself.
 - Never handle the AC power plug with wet hands, as this could result in fire or shock.
 - Power cord should be routed to avoid being severely bent, pinched, or walked upon. Pay particular attention to the cord from the unit to the power socket.
 - Avoid overloading AC power plugs and extension cords beyond their capacity, as this could result in fire or shock.
- 4 **Extension cord** — To help prevent electric shock, do not use a polarized AC power plug with an extension cord, receptacle, or other outlet unless the polarized plug can be completely inserted to prevent exposure of the blades of the plug.
- 5 **When not in use** — Disconnect the AC power cord from the AC outlet if the unit will not be used for several months or more. When the cord is plugged in, a small amount of current continues to flow to the unit, even when the power is turned off.

Outdoor Antenna

- 1 **Power lines** — When connecting an outdoor antenna, make sure it is located away from power lines.
- 2 **Outdoor antenna grounding** — Be sure the antenna system is properly grounded to provide protection against unexpected voltage surges or static electricity build-up. Article 810 of the National Electrical Code, ANSI/NFPA 70, provides information on proper grounding of the mast, supporting structure, and the lead-in wire to the antenna discharge unit, as well as the size of the grounding unit, connection to grounding terminals, and requirements for grounding terminals.

Antenna Grounding According to the National Electrical Code



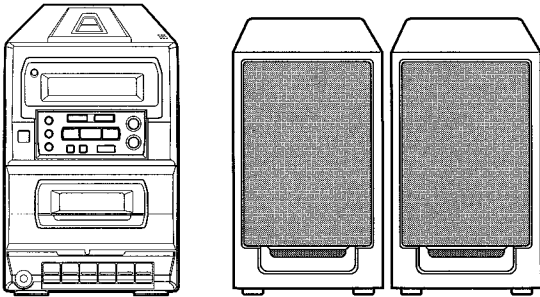
NEC-NATIONAL ELECTRICAL CODE

Welcome to the Aiwa Stereo System

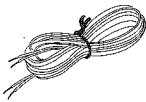
Congratulations on your purchase of an Aiwa Stereo System. To optimize the performance of this system, please take the time to read through these Operating Instructions and become familiar with the operating procedures.

Check your system and accessories

LCX-155
Compact disc stereo system



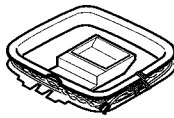
FM antenna



Remote control



AM antenna



Operating Instructions, etc.

Owner's record

For your convenience, record the model number and serial number (you will find them on the rear of your set) in the space provided below. Please refer to them when you contact your Aiwa dealer in case of difficulty.

Model No.	Serial No. (Lot No.)
LCX-155U	

To stand the AM antenna on a surface

Fix the claw to the slot.

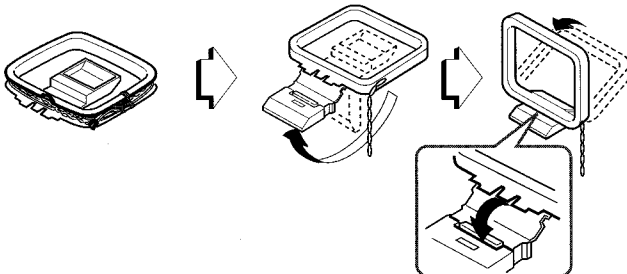


TABLE OF CONTENTS

PREPARATIONS

PRECAUTIONS	1
CONNECTIONS	3
BEFORE OPERATION	4

SOUND

ADJUSTING THE SOUND	4
---------------------------	---

CD PLAYING

PLAYING A CD	5
--------------------	---

RADIO RECEPTION

MANUAL TUNING	7
PRESETTING STATIONS	7

TAPE PLAYBACK

PLAYING A TAPE	8
----------------------	---

RECORDING

RECORDING	8
-----------------	---

CLOCK AND TIMER

SETTING THE CLOCK	9
SETTING THE TIMER	9
SETTING THE SLEEP TIMER	10

OTHER CONNECTIONS

CONNECTING OPTIONAL EQUIPMENT	11
-------------------------------------	----

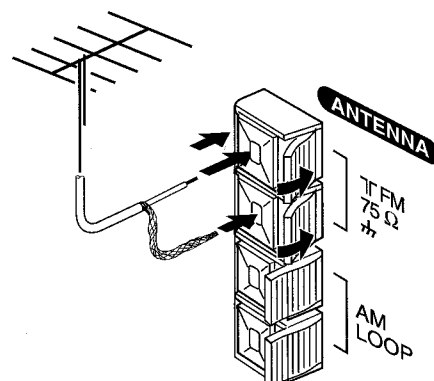
GENERAL

CARE AND MAINTENANCE	11
SPECIFICATIONS	12
TROUBLESHOOTING GUIDE	12
PARTS INDEX	Back cover

Connecting an outdoor antenna

For better FM reception, use of an outdoor antenna is recommended.

Connect the outdoor antenna to the FM 75 Ω terminals.



CONNECTIONS

Before connecting the AC cord

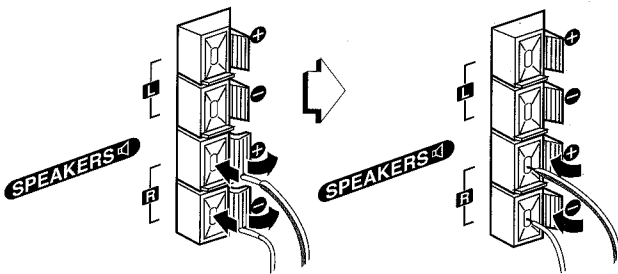
The rated voltage of your unit shown on the rear panel is 120 V AC. Check that the rated voltage matches your local voltage.

IMPORTANT

- Connect the speakers, antennas, and all optional equipment first. Then connect the AC cord in the end.
- There are no differences between the front speakers. Both speakers can be connected as L (Left) or R (Right).

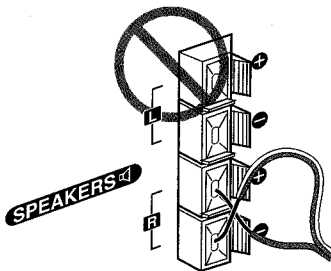
1 Connect the speaker cords to the main unit.

The cords with the black stripes should be connected to the \oplus terminals and the other cords to the \ominus terminals.



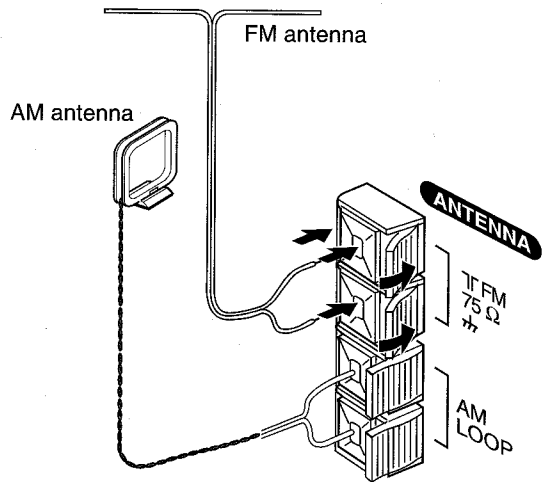
NOTE

Do not short-circuit the \oplus and \ominus speaker cord leads; otherwise the sound may become inaudible. If this happens, disconnect the AC cord from the AC outlet and re-connect the speaker cord correctly. Connect then the AC cord and turn the unit on again.



2 Connect the supplied antennas.

Connect the FM antenna to the FM 75 Ω terminals and the AM antenna to the AM LOOP terminals.



3 Connect the AC cord to an AC outlet.

To position the antennas

FM antenna:

Extend this antenna horizontally in a T-shape and fix its ends to the wall.

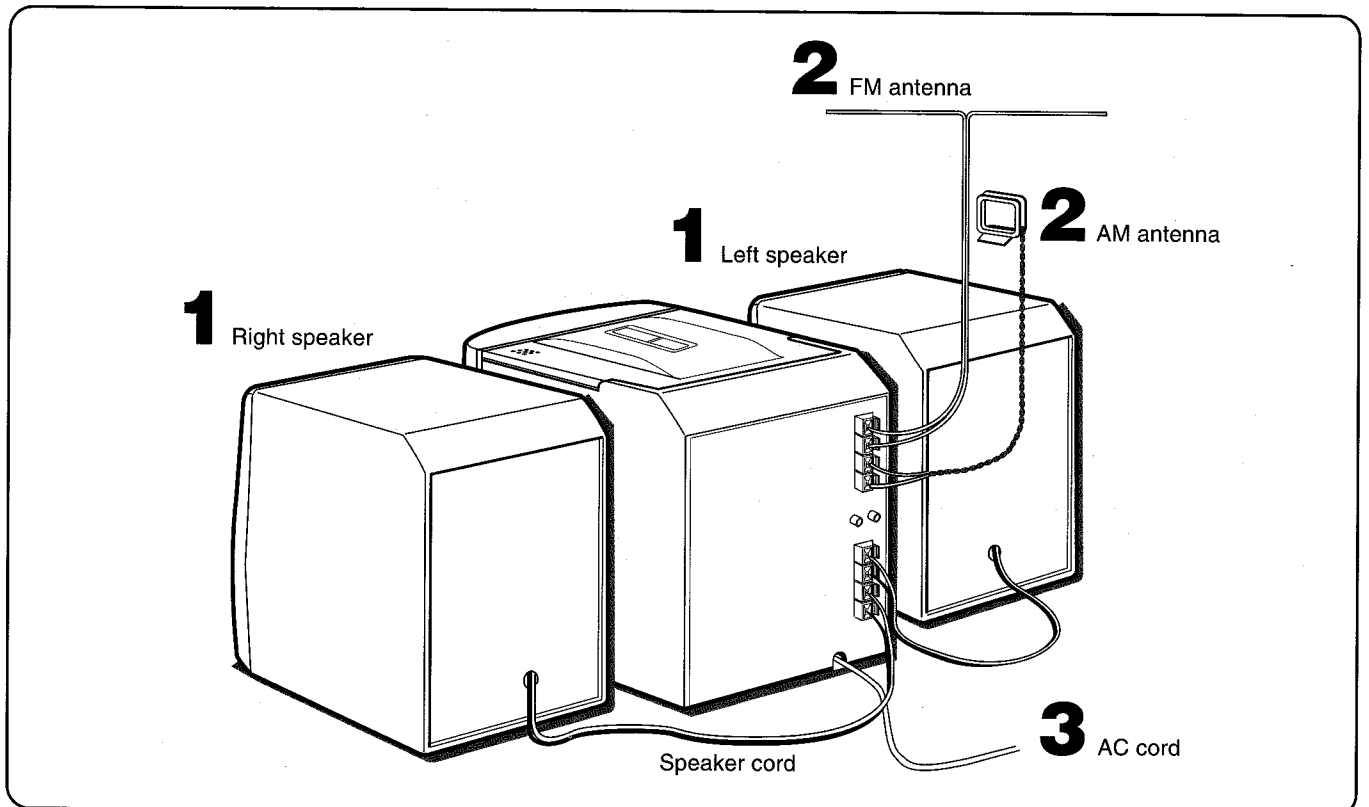
AM antenna:

Position to find the best direction.

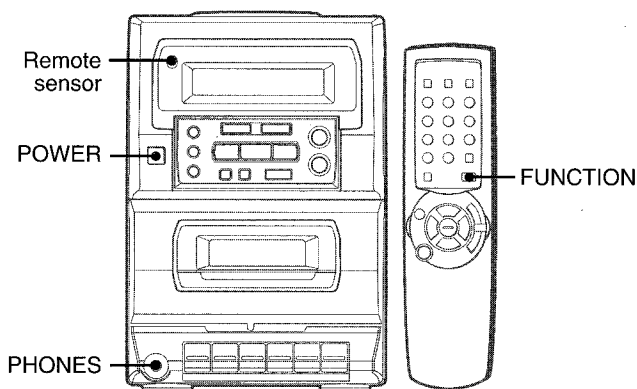
NOTE

- Do not leave objects generating magnetism near the speakers.
- Do not bring the FM antenna near metal objects or curtain rails.
- Do not bring the AM antenna near other optional equipment, the stereo system itself, the AC cord or speaker cords, since noise will be picked up.
- Do not unwind the AM antenna wire.

To connect other optional equipment → page 11.



BEFORE OPERATION



To turn the unit on

Press the POWER button.

After use

Press the POWER button to turn off the power. The display changes to the clock.

Using the headphones

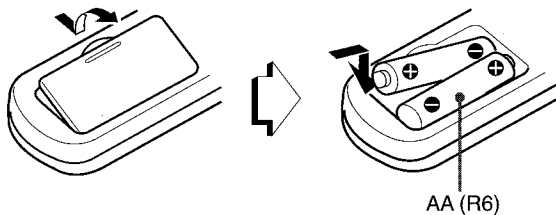
Connect headphones to the PHONES jack with a stereo mini plug ($\varnothing 3.5$ mm, $\frac{1}{8}$ inch).

No sound is output from the speakers while the headphones are plugged in.

REMOTE CONTROL

Inserting batteries into the remote control

Detach the battery cover on the rear of the remote control and insert two size AA (R6) batteries.



When to replace the batteries

The maximum operational distance between the remote control and the sensor on the main unit should be approximately 5 meters (16 feet). When this distance decreases, replace the batteries with new ones.

To use FUNCTION button on the remote control

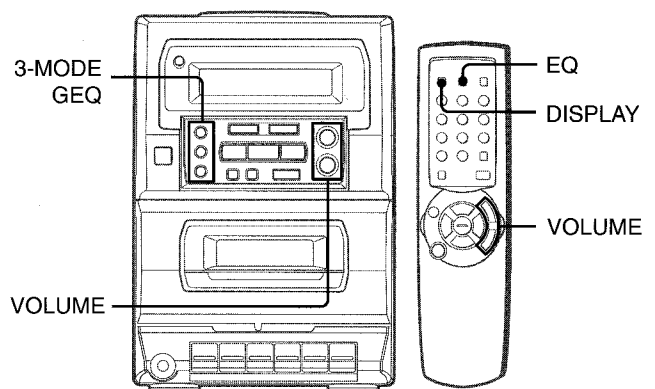
The FUNCTION button substitutes for the function buttons (TAPE, TUNER, AUX, CD) on the main unit.

Each time FUNCTION button is pressed, the next function is selected cyclically.

NOTE

- If the unit is not going to be used for an extended period of time, remove the batteries to prevent possible electrolyte leakage.
- The remote control may not operate correctly when:
 - The line of sight between the remote control and the remote sensor is exposed to intense light, such as direct sunlight
 - Other remote controls are used nearby (television, etc.)

ADJUSTING THE SOUND



ADJUSTING THE VOLUME

Press the VOLUME control

Press \blacktriangle button (or \wedge on the remote control) to increase the volume, and \blacktriangledown button (or \vee on the remote control) to decrease it.

The volume level is shown on the display for 4 seconds. It can be set from 0 (minimum) to 30, and then MAX (maximum).

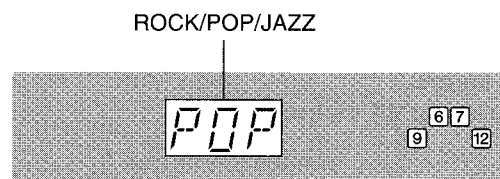
The volume remains memorized even after the power is turned off. However, if the power is turned off when the volume is set to more than 20, it is automatically set to 20 the next time the power is turned on.

To display the current volume level

Press the DISPLAY button twice on the remote control. The volume level is displayed for 4 seconds.

GRAPHIC EQUALIZER

Press one of the 3-MODE GEQ buttons.



ROCK: Powerful sound emphasizing treble and bass.

POP: More presence in the vocals and midrange.

JAZZ: Sound enriched with heavy bass and fine treble.

To cancel the selected mode

Press the selected button again.

When using the remote control

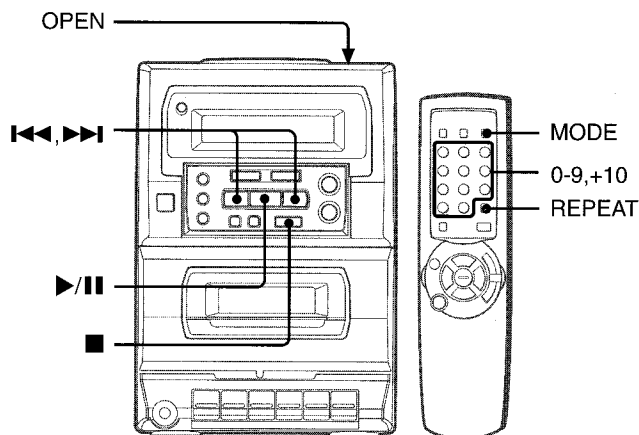
Press the EQ button until the desired equalization mode is displayed.

The equalization mode changes to ROCK, POP, JAZZ or no equalization cyclically.

SOUND ADJUSTMENT DURING RECORDING

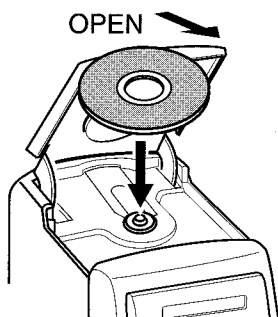
The output volume and tone of the speakers or headphones may be freely varied without affecting the level of the recording.

PLAYING A CD



LOADING A DISC

Press the **OPEN** mark to open the disc compartment. Load a disc with the label side up and close the disc compartment.

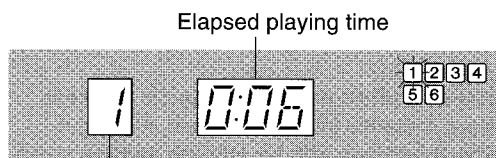


PLAYING A DISC

Load a disc.

Press the **$\triangleright / \parallel$** button on main unit or the **\triangleright** button on remote control.

Play begins with the first track.



Number of track being played

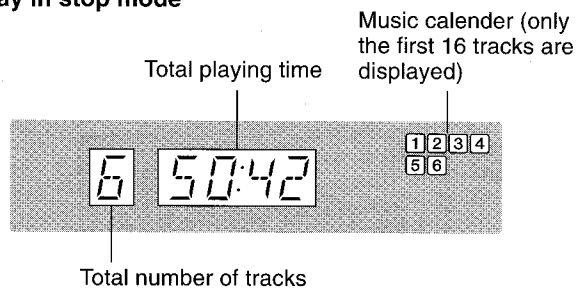
To stop play, press the **\blacksquare** button.

To pause play, press the **$\triangleright / \parallel$** button on main unit or the **\parallel** button on remote control. To resume play, press again.

To search for a particular point during playback, keep the **$I \lll$** or **$\ggg I$** button pressed and release the button at the desired point.

To skip to the beginning of a track during playback, press the **$I \lll$** or **$\ggg I$** button repeatedly.

Display in stop mode



To start play when the power is off (Direct Play Function)

Press the **$\triangleright / \parallel$** button. The power is turned on and play of the loaded disc begins.

If other than CD play is selected with the power on, pressing the **$\triangleright / \parallel$** button once will change the function to CD and play starts.

To select a track with the remote control

Press the numbered buttons and the +10 button to select a track. Example:

To select the 25th track, press the +10, +10 and 5 buttons.

To select the 10th track, press the +10 and 0 buttons.

The selected track starts to play and play continues to the end of that disc.

NOTE

- Do not use irregular shape CDs (example: heart-shaped, octagonal ones). It may result in malfunction.
- Do not place more than one compact disc in the disc compartment.
- Do not try to open the disc compartment during play.

RANDOM PLAY

All the tracks on the disc can be played randomly.

Press the **MODE** button on the remote control once in stop mode to display "RAN".

Press the **$\triangleright / \parallel$** button to start play.

To cancel random play, press the **MODE** button repeatedly in stop mode until "RAN" disappears.

NOTE

- It is not possible to skip to the previously played track with the **$I \lll$** button. The unit returns to the beginning of the current track only.
- When you select a track with the numbered buttons on the remote control during the random play mode, the selected track starts to play and the random play mode is canceled.
- During RANDOM play, "REPEAT 1" play cannot be performed.

REPEAT PLAY

One track, all the tracks or programmed tracks can be played repeatedly.

Press the **REPEAT** button on the remote control to display "REPEAT 1" or "REPEAT ALL".

To repeat the current track only, press to display "REPEAT 1".

To repeat all the tracks, press to display "REPEAT ALL".

To cancel repeat play, press the **REPEAT** button to turn off "REPEAT".

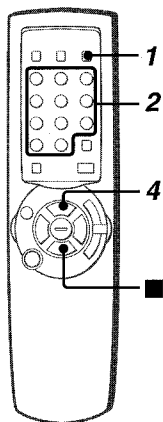
To repeat the desired tracks only, program the tracks and press the **REPEAT** button to display "REPEAT ALL".

NOTE

- During "REPEAT ALL" mode, RANDOM play can be performed.
- During "REPEAT 1" mode, entering RANDOM mode will cancel the "REPEAT 1" mode.

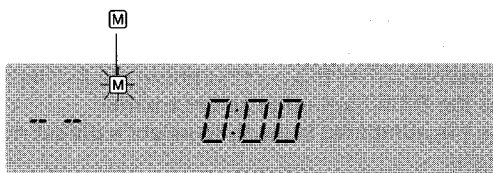
PROGRAMMED PLAY

Up to 30 tracks can be programmed from the inserted disc.



Use the remote control.

1 Press the MODE button twice in stop mode so that "M" flashes on the display.

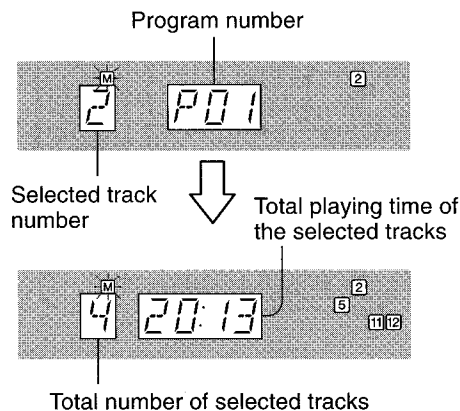


2 Press the numbered buttons and +10 button to program track.

Example:

To select the 12th track, press the +10 and 2 buttons.

To select the 20th track, press the +10, +10 and 0 buttons.



3 Repeat step 2 to program other tracks.

4 Press the ► button to start play.

To check the program

Each time the ►► button is pressed in stop mode, a track number and program number will be displayed.

To clear the program

Press the ■ button or the MODE button (on remote control) in stop mode.

To add tracks to the program

Before playing, repeat step 2. The track will be programmed after the last track.

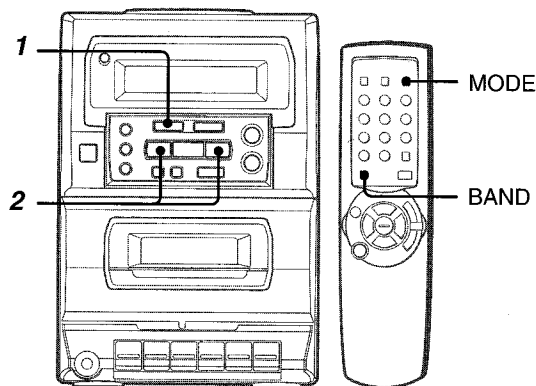
To change the programmed tracks

Clear the program and repeat all the steps.

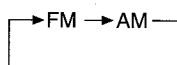
NOTE

- During programmed play, the following operations cannot be performed.
 - Random play
 - One-track repeat (REPEAT 1)
- If the programmed time is more than 99:59 minutes, or the disc track number 31 or above is programmed, the display shows -:- as the total playing time.

MANUAL TUNING



- 1 Press the TUNER/BAND button repeatedly to select the desired band.



When using the remote control, press the BAND button repeatedly.

- 2 Press the ◀◀ or ▶▶ button to select a station. Each time the button is pressed, the frequency changes. When a station is tuned in, "TUNE" is displayed for a moment. During FM stereo reception, "STEREO" is displayed.



To turn on the unit and play a tuned station when the power is off (Direct Play Function)

Press the TUNER/BAND button. The power is turned on and the tuned station is played.

To search for a station quickly (Auto Search)

Keep the ◀◀ or ▶▶ button pressed until the tuner starts searching for a station. After tuning in to a station, the search stops.

To stop the Auto Search manually, press the ◀◀ or ▶▶ button.

- The Auto Search may not stop at stations with very weak signals.

When an FM stereo broadcast contains noise

Press the MODE button on the remote control.

"MONO" appears on the display.

Noise is reduced, although reception is monaural.

To restore stereo reception, repeat the above.

To change the AM tuning interval

The default setting of the AM tuning interval is 10 kHz/step. If you use this unit in an area where the frequency allocation system is 9 kHz/step, change the tuning interval.

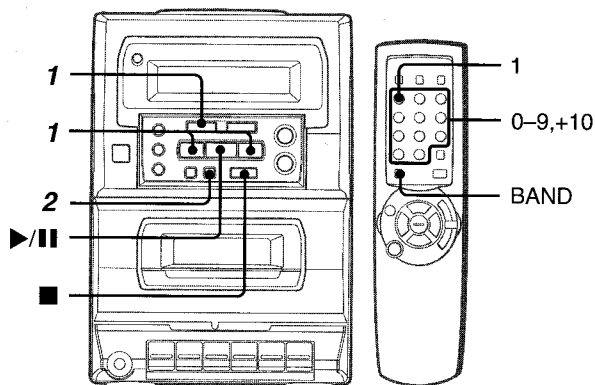
Press the POWER button while pressing the TUNER/BAND button.

To reset the interval, repeat this procedure.

NOTE

When the AM tuning interval is changed, all preset stations (see "PRESETTING STATIONS") are cleared. The preset stations have to be set again.

PRESETTING STATIONS

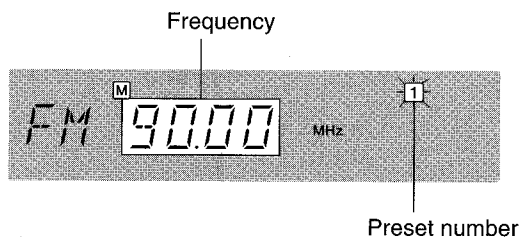


The unit can store a total of 32 preset stations. When a station is stored, a preset number is assigned to the station. Use the preset number to tune in to a preset station directly.

- 1 Press the TUNER/BAND button to select a band. Then, press the ◀◀ or ▶▶ button to select a station.

- 2 Press the SET button to store the station.

A station is assigned a preset number, beginning from 1 in consecutive order for each band.



- 3 Repeat steps 1 and 2.

NOTE

Each band can only store a maximum of 16 preset stations.

To listen to preset stations

Use the remote control to select the preset number directly.

- 1 Press the BAND button to select a band.

- 2 Press the numbered buttons to select a preset number.

Example:

To select preset number 15, press the +10 and 5 buttons.

To select preset number 10, press the +10 and 0 buttons.

When operating on the main unit, press the ■ button repeatedly.

Each time the button is pressed, the next higher number is selected.

To clear a preset station

Select the preset number of the station to be cleared. Then, press the SET button, and press the ▶/|| button within 4 seconds while the frequency flashes.

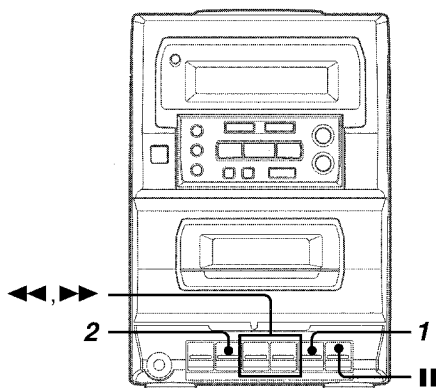
The preset numbers of all other stations in the band with higher numbers are also decreased by one.

To scan preset stations

Press the "1" button on the remote control until "P-SCAN" is displayed. The preset stations are received in ascending order for 5 seconds each. To stop scanning, press one of the VOLUME buttons. The preset number flashes during reception.

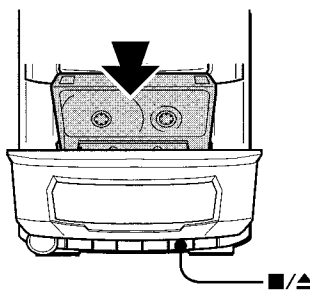
PLAYING A TAPE

RECORDING



Use only type I (normal) tapes.

- 1 Press the **■/▲** button to open the cassette holder and insert a tape with the exposed side down. Push the cassette holder to close it.



- 2 Press the **▶** button.

TAPE function is selected and play begins.

Only the side facing out from the unit can be played back.

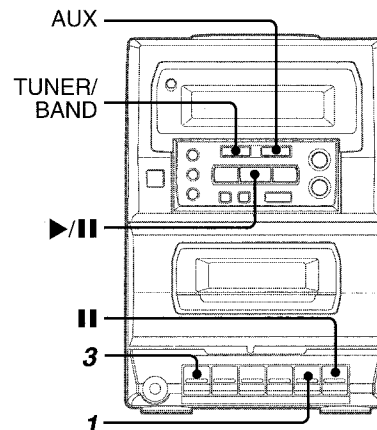
To stop play, press the **■/▲** button.

To pause play, press the **||** button. To resume play, press again.

To fast forward or rewind, press the **◀◀** or **▶▶** button in stop mode. Then press the **■/▲** button to stop the tape.

To start play when the power is off (Direct Play Function)

Press the **▶** button. The power is turned on and the inserted tape begins to play.



This section explains how to record from the tuner, CD player or other external equipment.

Preparation

- Wind up the tape to the point recording starts.
- Note that recording is done on only one side of the tape.
- Use only type I (normal) tapes.

- 1 Insert the tape to be recorded on into the deck. Insert the tape with the side to be recorded on facing out from the unit and the exposed side down.

- 2 Get the source ready for recording.

To record from a CD, load the disc and press the **▶/||** button.

To record from a radio broadcast, press the TUNER/BAND button and tune in to a station.

To record from a connected source, press the AUX button and prepare the source for play.

- 3 Press the **●** button to start recording.

The **▶** button is pressed simultaneously.

When the selected function is CD, playback and recording start simultaneously.

When the selected function is AUX, start playback manually.

To stop recording, press the **■/▲** button.

To pause recording, press the **||** button. To resume recording, press again.

When the tape reaches its end, the tape stops and the **●** button is released. During CD recording, CD play pauses automatically. Change the tape and press the **●** button, then CD play will automatically resume.

To record the selected tracks of the CD

Program the tracks (see "PROGRAMMED PLAY") and press the **●** button.

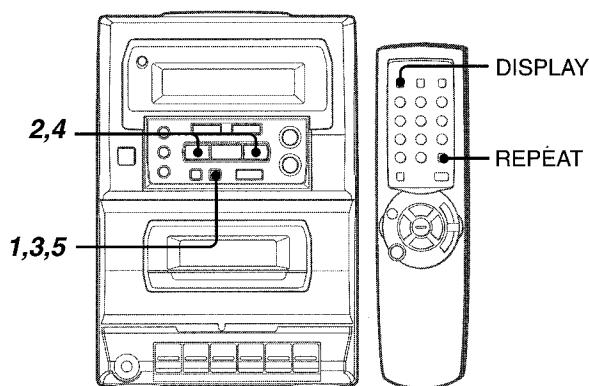
About cassette tapes

- **120-minute or longer tapes** are extremely thin and easily deformed or damaged. They are not recommended.
- **Take up any slack** in the tape with a pencil or similar tool before use. Slack tape may break or jam in the mechanism.

COPYRIGHT

Please check the laws on copyright relating to recordings from discs, radio or external tape for the country in which the machine is being used.

SETTING THE CLOCK



When the AC cord is connected for the first time, the time on the display flashes.

Set the time as follows while the power is off.

1 Press the SET button.

The hour flashes.



2 Press the I◀◀ or ▶▶I button to designate the hour.

3 Press the SET button to set the hour.

The hour stops flashing and the minute starts flashing.

4 Press the I◀◀ or ▶▶I button to designate the minute.

5 Press the SET button to set the minute and complete setting.

The minute stops flashing on the display and the clock starts from 00 seconds.

To correct the current time

Press the POWER button to turn the unit off and press the SET button. Then, carry out steps 1 to 5 above.

To display the current time

Press the DISPLAY button on the remote control once. The time is displayed for 4 seconds.

To switch to the 24-hour standard

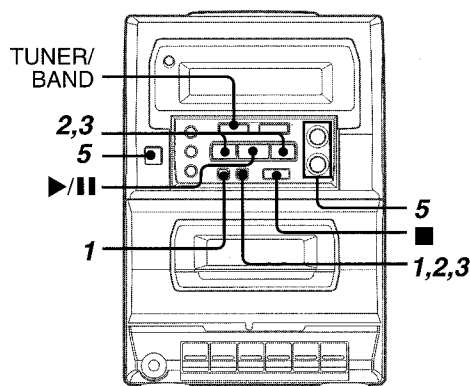
Using the remote control while the power is on, press the DISPLAY button once so that the clock is displayed and then press the REPEAT button within 4 seconds. Repeat the same procedure to restore the 12-hour standard.

If the clock display flashes while the power is off

This is caused by a power interruption. The current time needs to be reset.

If power is interrupted for more than approximately 24 hours, all settings stored in memory after purchase need to be reset.

SETTING THE TIMER



The unit can be turned on at a specified time with the built-in timer.

Preparation

Make sure the clock is set correctly.

1 Press the TIMER/SLEEP button once to display ☉, and press the SET button within 4 seconds.

☉ is displayed, and the hour flashes.



NOTE

If you do not press the SET button within 4 seconds, another operation may start.

2 Designate the hour of the timer-on time by pressing the I◀◀ or ▶▶I button, and press the SET button. Repeat to designate the minute of the timer-on time.

3 Select the duration for the timer-activated period with the I◀◀ or ▶▶I button and press the SET button.



The duration for the timer-activated period can be set between 5 and 240 minutes in 5-minute steps.

4 Prepare the source.

To listen to a CD, load the disc and press the ▶/II button.

To listen to the radio, press the TUNER/BAND button and tune in to a station.

5 Press the POWER button to turn the unit off after adjusting the volume.

☉ remains on the display after the power is turned off (timer standby mode).

When the timer-on time is reached, the unit turns on and begins play with the selected source.

• You cannot set the volume level to 21 or higher.

To check the specified time

Press the TIMER/SLEEP button once. The timer-on time flashes for 4 seconds. However, the duration for the timer-activated period will not be displayed.

To cancel timer standby mode temporarily

Press the TIMER/SLEEP button twice to turn off \odot .

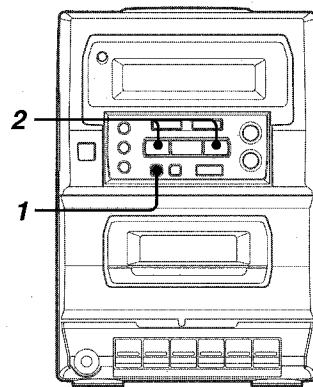
Using the unit while the timer is set

You can use the unit normally after setting the timer. Before turning off the power, repeat step 4 to prepare the source, and adjust the volume.

NOTE

- Timer playback will not begin unless the power is turned off.
- Connected equipment cannot be turned on and off by the built-in timer of this unit. Use an external timer.

SETTING THE SLEEP TIMER



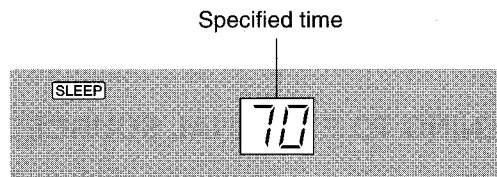
The unit can be turned off automatically at a specified time.

- 1 Press and hold the TIMER/SLEEP button until "SLEEP" appears on the display.**



- 2 Within 4 seconds, press the \lll or \ggg button to specify the time until the power is turned off.**

Each time the button is pressed, the time changes between 5 and 240 minutes in 5-minute steps.



- To check the time remaining until the power is turned off**

Press and hold the TIMER/SLEEP button until the remaining time is shown. It will be displayed for 4 seconds.

- To cancel the sleep timer**

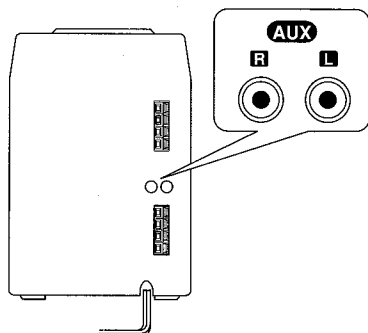
Press and hold the TIMER/SLEEP button until the remaining time is displayed, then press and hold the TIMER/SLEEP button again within 2 seconds so that "SLEEP" on the display disappears.

NOTE

If the unit is turned off during tape playback, the \blacktriangleright button is kept pressed. Press the $\blacksquare/\blacktriangle$ button to release the \blacktriangleright button.

CONNECTING OPTIONAL EQUIPMENT

CONNECTING TO AUX JACKS



Sound signals can be input to this unit through the AUX jacks. Use a cable with RCA phono plugs to connect equipment (turntables, LD players with analog output jacks, DAT decks, MD players, VCRs, TVs, etc.).

Connect the red plug to the R jack, and the white plug to the L jack.

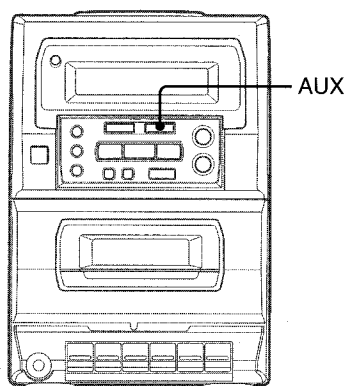
Refer to the operating instructions of the connected equipment for details.

- The connecting cords are not supplied. Obtain the necessary connecting cords.
- Consult your local Aiwa dealer for recommended equipment.

When connecting a turntable

Use an Aiwa turnable equipped with a built-in equalizer amplifier.

LISTENING TO EXTERNAL SOURCES



To play equipment connected to the AUX jacks, press the AUX button and start play. "AUX" appears on the display.

CARE AND MAINTENANCE

Occasional care and maintenance of the unit and the software are needed to optimize the performance of your unit.

To clean the cabinet

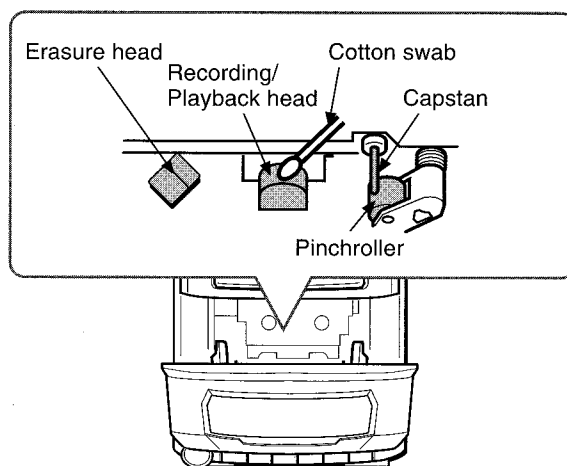
Use a soft and dry cloth.

If the surfaces are extremely dirty, use a soft cloth lightly moistened with mild detergent solution. Do not use strong solvents, such as alcohol, benzine or thinner as these could damage the finish of the unit.

To clean the heads and tape paths

After every 10 hours of use, clean the heads and tape paths with a head cleaning cassette or cotton swab moistened with cleaning fluid or denatured alcohol. (These cleaning kits are commercially available.)

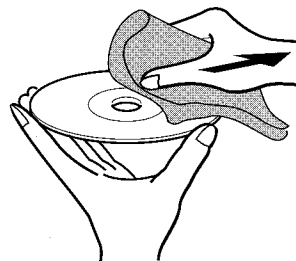
When cleaning with a cotton swab, wipe the recording/playback head, erasure head, capstan, and pinchroller.



After cleaning the heads and tape paths with a head cleaning cassette or a moistened swab, wait until the cleaned parts are completely dry before inserting the tapes.

Care of discs

- When a disc becomes dirty, wipe the disc from the center out with a cleaning cloth.



- After playing a disc, store the disc in its case. Do not leave the disc in places that are hot or humid.

Care of tapes

- Store tapes in their cases after use.
- Do not leave tapes near magnets, motors, television sets, or any source of magnetism. This will downgrade the sound quality and cause noise.
- Do not expose tapes to direct sunlight, or leave them in a car parked in direct sunlight.

SPECIFICATIONS

Main unit

FM tuner section

Tuning range	87.5 MHz to 108 MHz
Antenna terminals	75 ohms (unbalanced)

AM tuner section

Tuning range	530 kHz to 1710 kHz (10 kHz step) 531 kHz to 1602 kHz (9 kHz step)
Antenna	Loop antenna

Amplifier section

Power output	7 W + 7 W (1 kHz, T.H.D. 10 %, 4 ohms) 5.5 W + 5.5 W (100 – 15 kHz, T.H.D. 1 %, 4 ohms)
--------------	--

Cassette deck section

Track format	4 tracks, 2 channels stereo
Frequency response	Normal tape: 50 Hz – 10000 Hz
Recording system	AC bias
Erase system	Magnet erase
Heads	Recording/playback head × 1 Erase head × 1

Compact disc player section

Laser	Semiconductor laser ($\lambda = 780 \text{ nm}$)
D-A converter	1 bit dual
Wow and flutter	Unmeasurable

Speaker system

Speakers	100 mm (4 in.) cone type, 4 ohms
Dimensions (W × H × D)	150 × 232.5 × 207 mm (6 × 9 ¹ / ₄ × 8 ¹ / ₄ in.)
Weight	1.2 kg (2 lbs 10 oz.)

General

Power requirements	120 V AC, 60 Hz
Power consumption	26 W
Dimensions of main unit (W × H × D)	160 × 236.2 × 218 mm (6 ³ / ₈ × 9 ³ / ₈ × 8 ⁵ / ₈ in.)
Weight of main unit	2.5 kg (5 lbs 8 oz.)

Specifications and external appearance are subject to change without notice.

NOTE

This equipment has been tested and found to comply with the limits for a Class B digital device, pursuant to Part 15 of the FCC Rules. These limits are designed to provide reasonable protection against harmful interference in a residential installation.

This equipment generates, uses, and can radiate radio frequency energy and, if not installed and used in accordance with the instructions, may cause harmful interference to radio communications. However, there is no guarantee that interference will not occur in a particular installation. If this equipment does cause harmful interference to radio or television reception, which can be determined by turning the equipment off and on, the user is encouraged to try to correct the interference by one or more of the following measures:

- Reorient or relocate the receiving antenna.
- Increase the separation between the equipment and receiver.
- Connect the equipment into an outlet on circuit different from that to which the receiver is connected.
- Consult the dealer or an experienced radio/TV technician for help.

CAUTION

Modifications or adjustments to this product, which are not expressly approved by the manufacturer, may void the user's right or authority to operate this product.

TROUBLESHOOTING GUIDE

If the unit fails to perform as described in these Operating Instructions, check the following guide.

GENERAL

There is no sound.

- Is the AC cord connected properly?
- Is there a bad connection? (→ page 3)
- Was an incorrect function button pressed?

The sound becomes inaudible.

- There may be a short circuit in the speaker terminals.
→ Disconnect the AC cord from the AC outlet and re-connect the speaker cords correctly. Then connect the AC cord and turn the unit on again.

Sound is emitted from one speaker only.

- Is the other speaker disconnected?

TUNER SECTION

There is constant, wave-like static.

- Is the antenna connected properly? (→ page 3)

The reception contains noise interferences or the sound is distorted.

- Is the system picking up external noise or multipath distortion?
→ Change the orientation of the antenna.
→ Move the unit away from other electrical appliances.

CASSETTE DECK SECTION

The tape does not run.

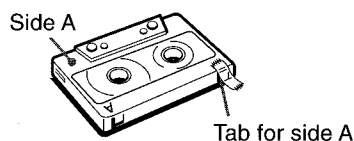
- Is the deck in pause mode? (→ page 8)

The sound is off-balance or not adequately high.

- Is the playback head dirty? (→ page 11)

Recording is not possible.

- If the tab on a cassette broken off, cover the hole with adhesive tape.



- Is the recording head dirty? (→ page 11)

Erase is not possible.

- Is the erasure head dirty? (→ page 11)
- Is a CrO₂ or metal tape being used?

High frequency sound is not emitted.

- Is the recording/playback head dirty? (→ page 11)

CD PLAYER SECTION

The CD player does not play.

- Is the disc correctly loaded? (→ page 5)
- Is the disc dirty? (→ page 11)
- Is the lens affected by condensation?
→ Wait approximately one hour and try again.

CLOCK AND TIMER SECTION

Timer setting is not possible.

- Does the clock flash on the display?
→ Reset the clock. (→ page 9)

To reset

If an unusual condition occurs in the display window or the cassette decks, reset the unit as follow.

- 1 Press the POWER button to turn off the power.
- 2 While pressing the ■ button, press the POWER button.
Everything stored in memory after purchase is canceled.

If the power cannot be turned off in step 1 because of a malfunction, reset by disconnecting the AC cord and repeat step 2.

PARTS INDEX

The parts on the main unit and remote control are listed in alphabetical order with the pages on the right side. Refer to each page for instructions about each part.

INDICE DE LAS PARTES

Las partes de la unidad principal y del control remoto se indican en orden alfabético con sus páginas correspondientes en la columna de la derecha. Consulte cada página para conocer las instrucciones relacionadas con cada parte.

NOMENCLATURE

Les instructions concernant chaque partie de l'appareil principal et de la télécommande se trouvent aux pages indiquées ci-contre. Les noms des parties sont indiqués dans l'ordre alphabétique.

AUX	11
BAND	7
▶/ CLEAR	5, 7
DISPLAY	4, 9
EQ	4
▶▶ F FWD	8
FUNCTION	4
MODE	5, 7
OPEN	5
PAUSE	8
PHONES	4
▶ PLAY	8
POWER	4
■ PRESET (STOP)	5, 7, 9
● REC	8
REPEAT	6, 9
◀◀ REW	8
SET	6, 9
■/▲ STOP/EJECT	8
TIMER/SLEEP	9, 10
◀◀, ▶▶ TUNING DOWN, UP (SKIP/SEARCH)	5, 7, 9
VOLUME	4
0-9, +10	5, 6, 7
3-MODE GEQ	4

For assistance and information,

call toll free 1-800-BUY-AIWA. (United States and Puerto Rico)
